

Cube Bollard Quartz PURE LED

PROJECT:
TYPE:
SOURCE:
NOTES:

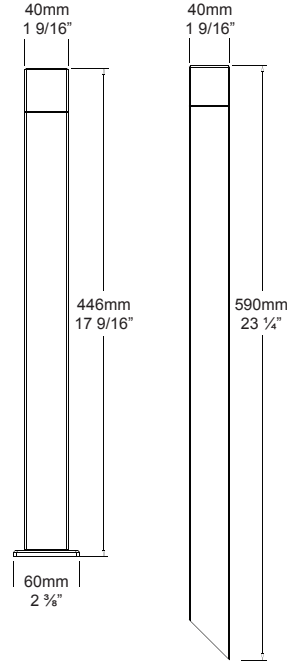
SPECIFICATIONS



LED Chip	Cree XPG-3 Plug and Play field replaceable LED board
Luminaire Output Per Head	120 Lumens @ 700mA, 70 Lumens @ 350mA delivered from luminaire with unobstructed beam.
Lumens Per Watt	70 Lumens minimum @ 1 watt, 60 Lumens @ 2 watts delivered from luminaire with unobstructed beam.
CRI (3000K)	90+
Colour Temperatures	2700K, 3000K, 4000K, Amber, Blue, Green, Red
Beam Angles	360
Ingress Protection	IP66
Warranty	Electronics = 5 years Body Aluminium = 5 years
Standards	AS/NZS 61046 cUL 1838, 2108 CSA 22.2 No. 250.7, No. 250.0-08, No. 250.0 CE



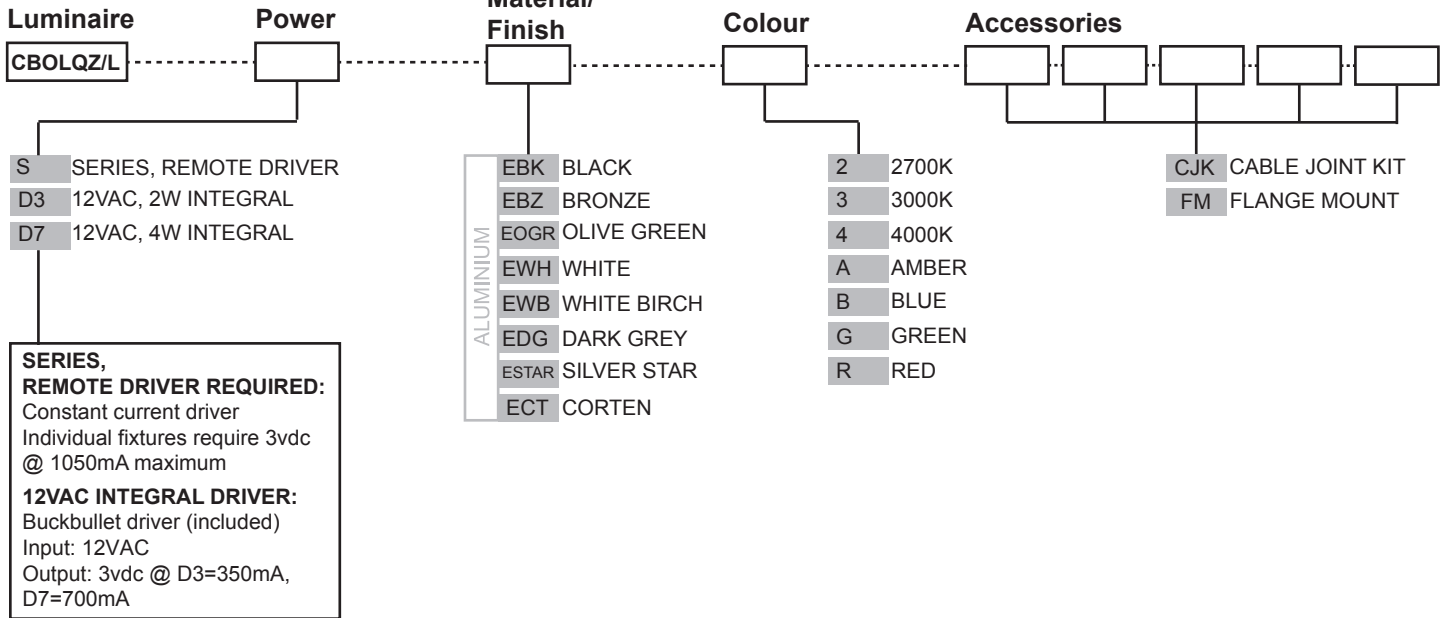
Flange Mount



PRODUCT CONFIGURATION

Please fill in appropriate codes into boxes provided

Cat. No. CBOLQZ/L



LUMINAIRE CONSTRUCTION

CNC machined from one of the following metals:

Aluminium:

Pole: High corrosion resistant 40mm (1½") x 4mm (3/16") solid aluminium square tube, with chromate substrate and high UV resistant polyester powder coat.

Colours:

Black, Bronze, Silver Star, White, White Birch, Olive Green, Dark Grey, Corten.

Head:

40mm (1½") x 40mm (1½") acrylic.

Lens:

Acrylic lens.

Do not clean with petrochemical substances.

Gaskets:

Silicone, iron impregnated 220°C (428°F)

Mounting:

Set in concrete in the ground or specify with flange mount option, which bolts to concrete, tiling or wooden decks.

Luminaire Weight:

Alum: 0.500kg (1lb 2oz)

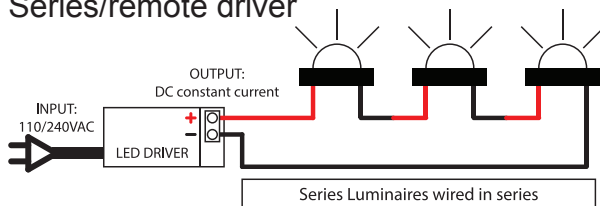
ACCESSORIES

BEAM ANGLES

IES files available for download: hunzalighting.com/downloads

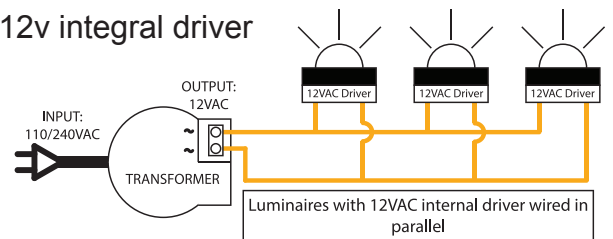
WIRING GUIDE

Series/remote driver



Diagrams are a guide only, wire colours and polarity may change depending on fixture and country

12v integral driver



Available for download: hunzalighting.com/downloads

Specifications may change without notification

Aug 2017